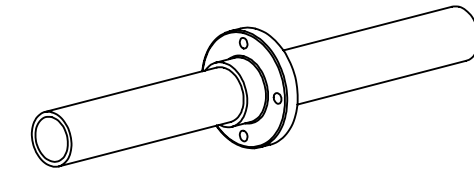
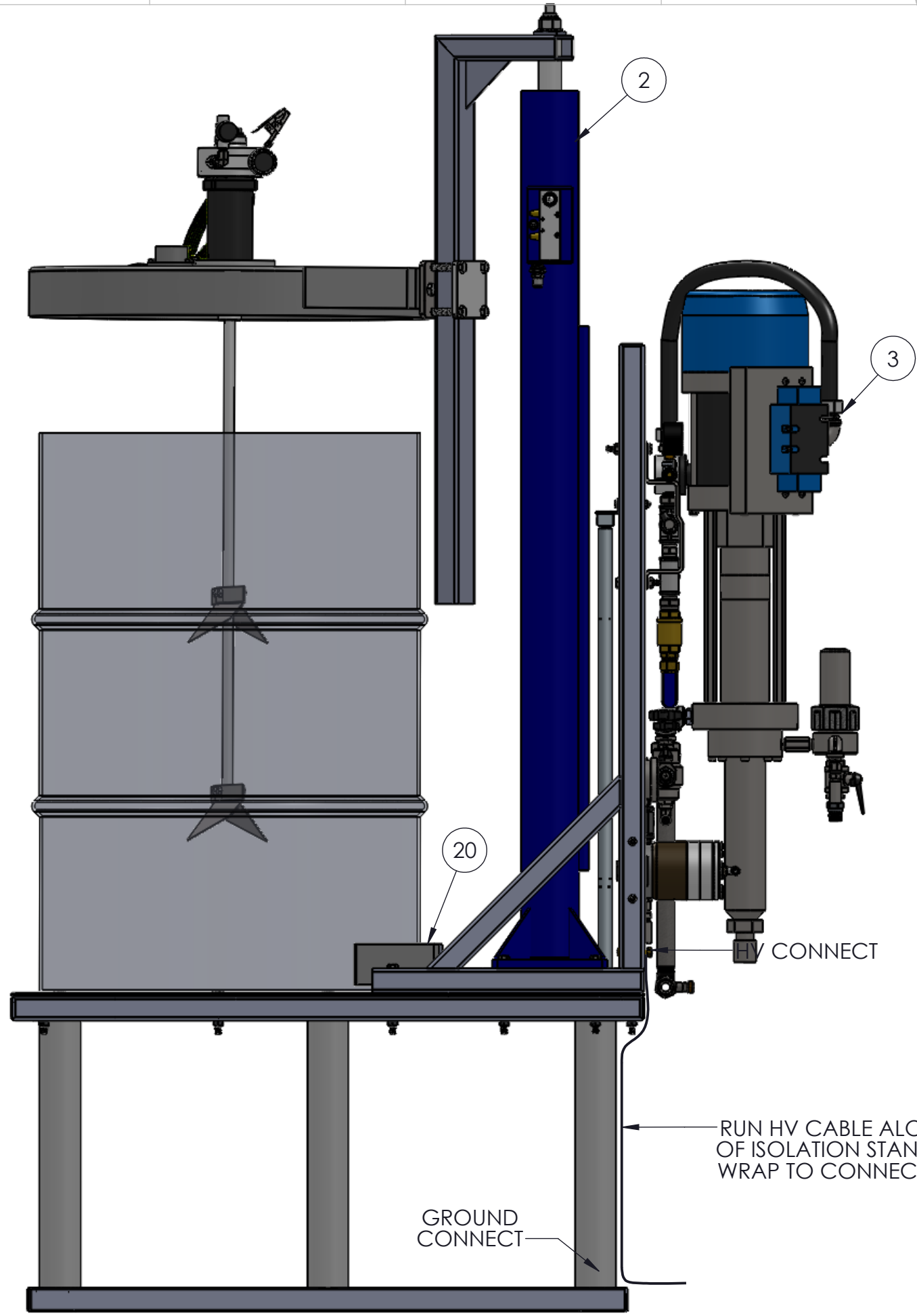


8 7 6 5 4 3 2 1

REVISIONS				
REV.	DESCRIPTION	DATE	APPROVED	ECR No.
A	ADDED ITEMS 23-43	4/22/2009	CS/JL	
B	82-2699-00 WAS 85-0172-39, 149-220-420 WAS 668-000-023, 82-3857-02 WAS 055-729-503, UPDATE TB, DWG FORMAT	4/21/2015	MTL/EH	2451
C	668-000-181 WAS 668-668-350	8/19/2015	MTL/EH	2573



INSTALLATION NOTES

1. ANY PARTS GROUNDED AND/OR NOT MOUNTED ON INSULATED TABLE SHOULD BE A MINIMUM OF 18" AWAY FROM THE TABLE (SAFETY CAGE, UHT, ETC).
2. ATTACH EARTH GROUND TO CONNECTOR SCREW AT BOTTOM OF ISOLATION STAND.
3. NOTE THAT THE HIGH VOLTAGE CABLE IS RUN FROM THE UHT208 TO THE ISOLATION STAND (GAGE 14 MINIMUM). SEE DWG 63-2370-00 FOR HV CABLE INSTRUCTIONS.
4. THE AIR LINE TO THE ISOLATION STAND, FOR THE AGITATOR & PUMP, MUST BE 1/2" CLEAR NON-GROUNDED TUBING, WITH 90 PSI AVAILABLE.
5. THE FLUID HOSES TO THE BOOTH MUST BE RUN IN THE ISOLATED SCHEDULE 80 TUBING WITH 18" ISOLATION TO A GROUNDED ITEM. USE EXEL PENETRATION STAND-OFF (PN 72-2189-00) TO PENETRATE THROUGH WALLS (BOOTH, MIX ROOM, ETC.) IS HIGHLY RECOMMENDED. FLUID LINE WILL BE AT POTENTIAL & HAVE TO BE 18" AWAY FROM ANY GROUND WHEN RUN OUTSIDE OF SCHEDULE 80 PIPES.
6. INSTALLER TO PROVIDE HARDWARE FOR MOUNTING TABLE TO THE FLOOR. 3/8" OR LARGER BOLTS RECOMMENDED FOR SECURE INSTALLATION.
7. LOCATE DRUM STOP AFTER LOCATION OF DRUM IS KNOWN



STAND-OFF REFERENCE
PN 72-2189-00

CUSTOMER: MADISON STEEL - TULSA, OK

MATERIAL: -		DATE: 3/26/2009		 EXEL N.A., INC. 45001 5 MILE RD. PLYMOUTH, MI 48170	DRAWN 3rd ANGLE 
FINISH: -		DATE: 4/6/2009			
CONFIDENTIAL THIS DOCUMENT IS THE SOLE PROPERTY OF EXEL N.A., INC., AND SHOULD NOT BE COPIED, PHOTOGRAPHED, OR OTHERWISE REPRODUCED WITHOUT THE EXPRESSED WRITTEN AUTHORIZATION OF EXEL N.A., INC.		DRAWN: C. STEVENS	DATE: 3/26/2009	TITLE: ISOLATION TABLE ASSY 16-120 FLOMAX W/ ELEVATOR	
		CHECKED / ENGINEERED: J. LYNAM	DATE: 4/6/2009	SCALE: 1:8	REV. C
		APPROVED: D. CARR	DATE: 4/6/2009	DRAWING NO. 668-000-459	SHEET 1 OF 7
				SHEET SIZE B	SHEET 1 OF 7

8 7 6 5 4 3 2 1

HARDWARE CALLOUT FOR SHOP USE ONLY

REVISIONS				
REV.	DESCRIPTION	DATE	APPROVED	ECR No.
-	SEE SHEET 1	-	-	-

HARDWARE LIST - MADISON STEEL				
ITEM	QTY	PART NO	DESCRIPTION	WHERE USED
34	1	82-0095-45	SCREW, PAN HEAD, 1/4-20 X 2"	HV CONNECT
35	1	82-0077-24	NUT, HEX, BRASS, 1/4	HV CONNECT
36	1	82-0470-26	WASHER, BRASS, 1/4	HV CONNECT
37	4	82-0077-11	NUT, HEX, 3/8-16	PUMP BRACKET TO FRAME
38	2	82-0637-100	SCREW, HEX HEAD, 3/8-16 X 2 1/2"	PUMP BRACKET TO FRAME
39	4	82-0637-48	SCREW, HEX HEAD, 1/4-20 X 2"	REGULATOR BRACKETS TO FRAME
40	4	82-0077-09	NUT, HEX, 1/4-20	REGULATOR BRACKETS TO FRAME
41	2	82-0637-75	SCREW, HEX HEAD, 3/8-16 X 1 1/2"	LOCATOR BRACKET TO PLATE

SHOP NOTES


1. ASSEMBLE TABLE & FRAME
2. DO NOT LOCATE DRUM STOP (ITEM #20). ASSEMBLE REQUIRED HARDWARE WITH DRUM STOP.
3. LOCATE PUMP & REGULATOR BY DRILLING HOLES IN TUBE STEEL.
4. LOCATE GROUND & HV LUGS BY DRILLING HOLES IN APPROX LOCATIONS.

ITEM #23
CONNECTED
TO AIR
CYLINDER

ITEM #24
NOT SHOWN
IN DRAWING

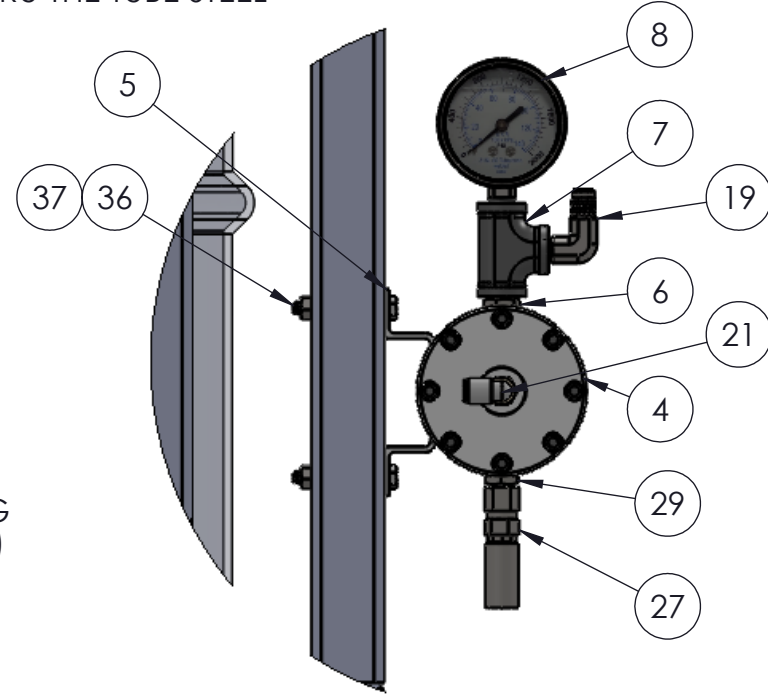
ITEM #28 USED FROM
FLUID OUTLET OF
PUMP TO FLUID REGS
CUT TO LENGTH

ITEM	QTY	PART NO	DESCRIPTION
1	1	668-000-475	ISOLATION TABLE, 55 GAL, C/W AIR CYLINDER ELEVATOR OPTION
2	1	668-900-201	AGITATOR, 55 GALLON, M3R, C/W ELEVATOR, COVER
3	1	668-796-102	PUMP, 16-120 FT, W/M, C/W PUMP AIR REG, FILTER, 55 GAL ROD, FILTER
4	2	155-271-755	REGULATOR, FLUID, AIRMIX, PILOTED 10-120 BAR
5	2	155-484-010	BRACKET, FLUID REGULATOR, W/ SCREWS
6	2	055-729-518	REDUCER, 3/8 NPT X 1/4 NPT, SS, MXM
7	2	055-729-513	TEE, 1/4 NPT SS
8	2	055-729-512	GAUGE, LIQUID, SS, 0-2000 PSI, 1/4 NPT(M)
9	2	668-000-080	ELBOW, STREET, 3/8 NPT, SS, 304, 150 PSI
10	1	050-271-501	HEX NUT, M26 X 125 TUBE NUT
11	1	055-192-202	FITTING, STEM, 1/2 NPTM 26/125 NUT S/S
12	1	668-000-180	FITTING, CROSS, 1/2 NPT(F), SS
13	1	668-668-490	NIPPLE, PIPE, 1/2" NPT, 12" LG
14	1	82-2950-00	VALVE, BALL, 3-WAY, 1/2 NPT(F), SS, L FLOW
15	3	050-102-437	FITTING, HEX, M26 X 125 X 1/2 NPT
16	2	905-210-202	BUSHING, REDUCER, 1/2 X 1/4 NPT, SS
17	2	669-420-011	VALVE, BALL, S/S, 3/8 NPTF
18	2	050-102-436	NIPPLE, M/M, 3/8 BSP X M18/125 THDS
19	4	905-210-602	FITTING, ELBOW, S/S, 1/4 NPTM X #5JIC
20	1	62-2369-00	DRUM LOCATOR, 55 GAL
21	2	82-1100-14	ELBOW, 1/4NPTx1/4 OD TUBE (PUSH ON)
22	1	62-2279-00	ROD, DRAIN, S/S, 5 GAL, 18 X 125, 6 FT HOSE
23	1	82-1100-16	ELBOW, 1/8NPT(M) X 5/16"OD TUBE
24	1	668-000-476	KIT, POWER SUPPLY, HV, FOR ISOLATION TABLE
25	1	668-000-181	NIPPLE, S/S, M/M W/ CHAMFER, 1/2 NPT
26	1	85-0140-18	ELBOW, 1/2 NPT(F), STEEL
27	4	905-063-305	FITTING, HOSE, #5 JIC(F) X 1/4"
28	6FT	668-668-397	HOSE, FLUID, 1/4ID, 3000PSI
29	4	905-210-503	FITTING, HEX, 3/8 NPT(M) X #5 JIC(M), SS
30	1	82-2980-00	CONNECTOR, 3/4NPT(M) X 5/8 TUBE COMPRESSION, BRASS
31	1	82-0094-45	SCREW, PAN HD, 1/4-20 X 2", BRASS
32	1	82-0077-24	HEX NUT, 1/4-20, BRASS
33	1	82-0470-26	WASHER, BRASS, 1/4
34	4	82-0077-11	NUT, HEX, 3/8-16
35	2	82-0637-100	SCREW, HEX HEAD, 3/8-16 X 2.5" LONG, STEEL
36	4	82-0637-48	SCREW, HEX HEAD, 1/4-20 X 2" LONG, PLATED STEEL
37	4	82-0077-09	NUT, HEX STEEL, 1/4-20
38	2	82-0637-75	SCREW, HEX HEAD, 3/8-16 X 1" LG.
39	1	63-2382-00	WIRE, GROUND, W/ (2) 1/4" TERMINAL RINGS
40	1	668-000-490	KIT, AIR CONNECTIONS FROM PUMP TO ELEVATOR
41	2	149-220-420	VALVE, FLUID CIRCULATION, SS
42	2	82-2699-00	NIPPLE, HEX, 1/4 NPT(M) X 1/4 BSPT(M), S/S
43	2	82-3857-02	ADAPTOR, 3/8NPTM X 3/8 BSPP (M), 316SS

MATERIAL: -			EXEL N.A., INC. 45001 5 MILE RD. PLYMOUTH, MI 48170	DRAWN 3rd ANGLE
FINISH: -	CONFIDENTIAL THIS DOCUMENT IS THE SOLE PROPERTY OF EXEL N.A., INC., AND SHOULD NOT BE COPIED, PHOTOGRAPHED, OR OTHERWISE REPRODUCED WITHOUT THE EXPRESSED WRITTEN AUTHORIZ- ATION OF EXEL N.A., INC.	DRAWN: C. STEVENS CHECKED / ENGINEERED: J. LYNAM APPROVED: D. CARR	DATE: 3/26/2009 DATE: 4/6/2009 DATE: 4/6/2009	TITLE: ISOLATION TABLE ASSY 16-120 FLOMAX W/ ELEVATOR SCALE: 1:8
		SHEET NO. 668-000-459		REV. C
		SHEET SIZE B		SHEET 2 OF 7

REVISIONS				
REV.	DESCRIPTION	DATE	APPROVED	ECR No.
-	SEE SHEET 1	-	-	-

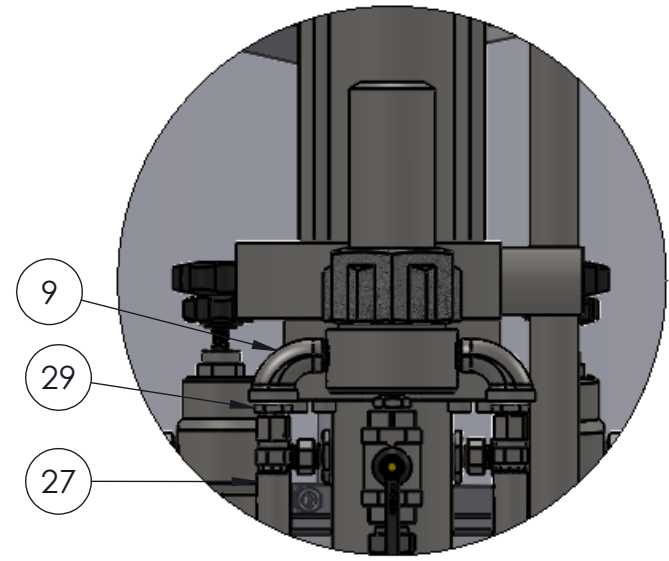
LOCATE REGULATORS BY DRILLING THRU HOLES THRU THE TUBE STEEL



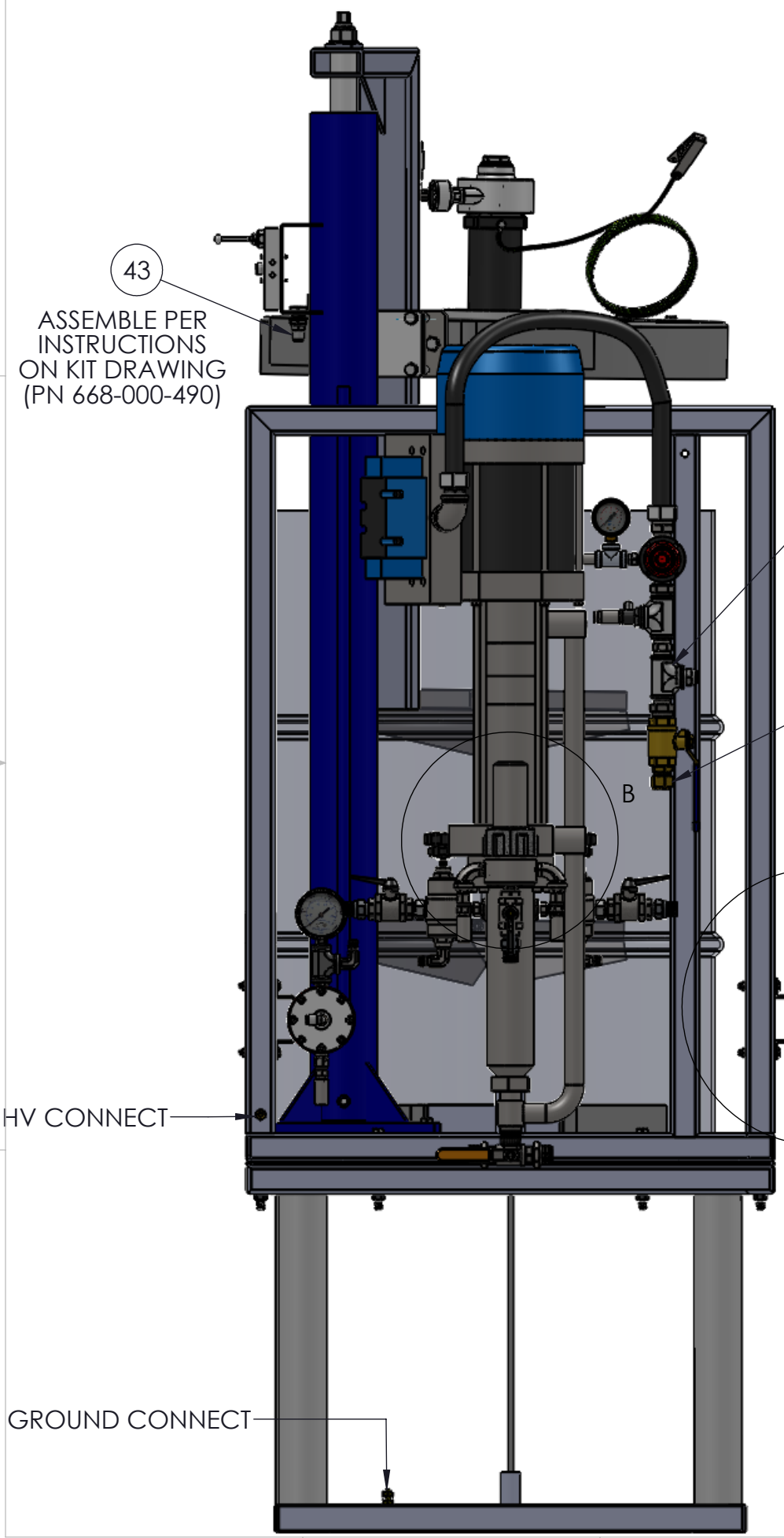
DETAIL A SCALE 1 : 4

ASSEMBLY NOTES:

1. ORIENT THE PARTS AS SHOWN UPON ASSEMBLY.
2. WHERE NOTED, CLEAN THREADS WITH LOCTITE 201 62 AND WIPE THREADS TO REMOVE CONTAMINATION. APPLY LOCTITE PRIMER 7649 TO MALE & FEMALE THREADS, ALLOW TO DRY. FINALLY, APPLY LOCTITE 277 TO MALE & FEMALE THREADS AROUND 2ND, 3RD & 4TH THREADS AND ASSEMBLE. ALLOW TO CURE A MINIMUM OF 14 HRS.
3. WHEN ATTACHING P/N 668-999-680 TO THE OUTLET FITTING OF THE VALVE, HOLD OUTLET FITTING FIRMLY OTHERWISE YOU WILL BREAK THE "V" GROOVE INSIDE OF THE VALVE.
4. APPLY LOCTITE 577 TO THREADS



DETAIL B SCALE 1 : 4




ASSEMBLE PER INSTRUCTIONS ON KIT DRAWING (PN 668-000-490)

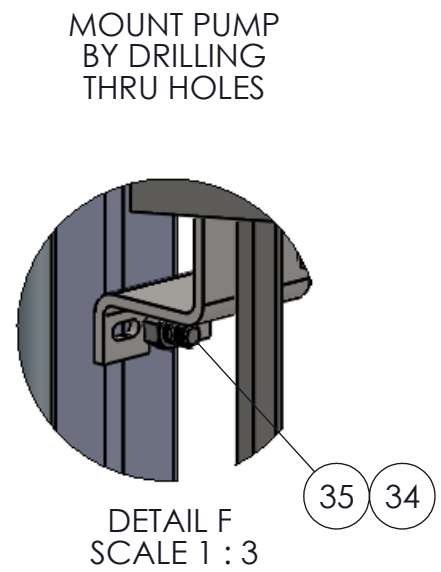
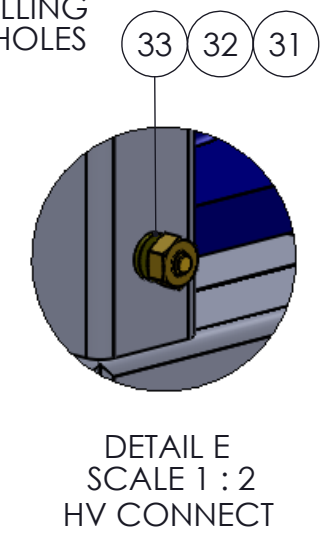
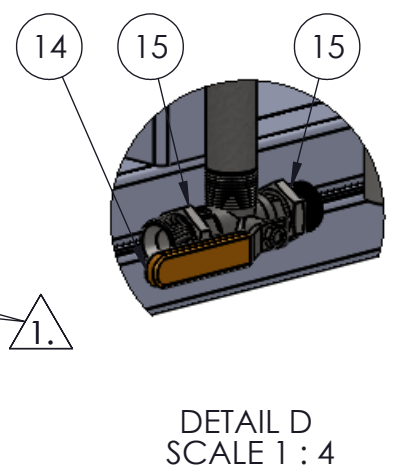
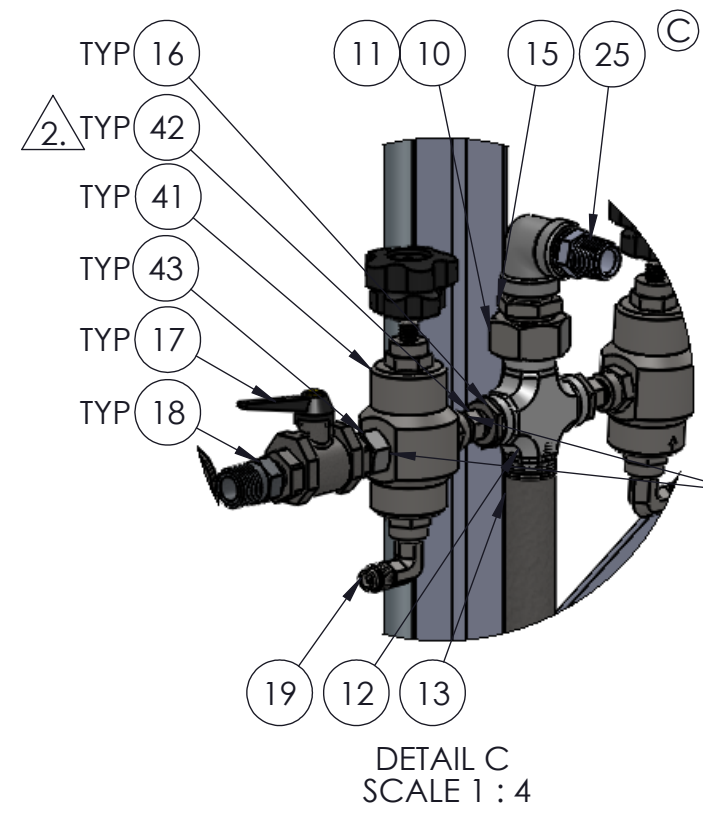
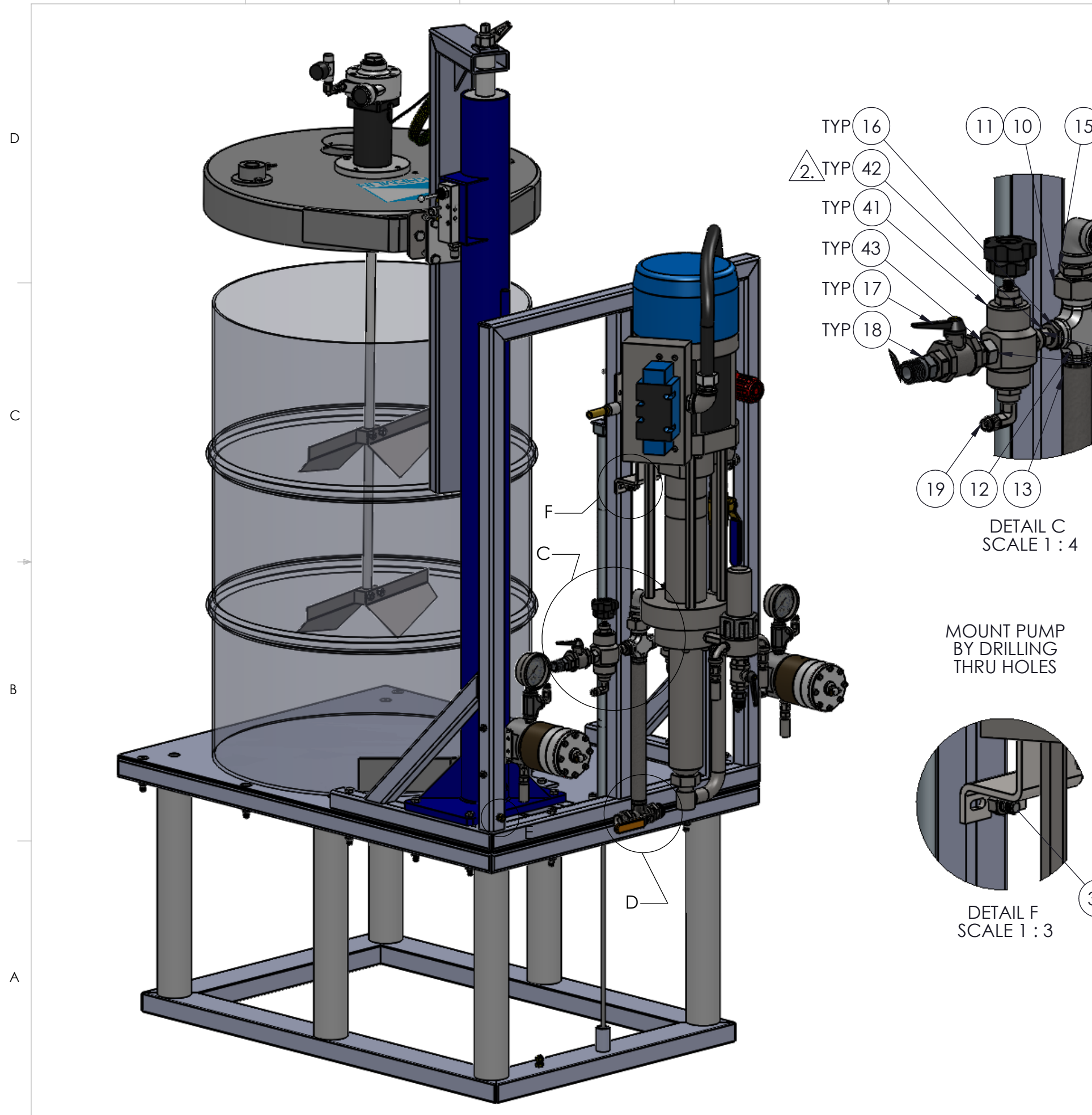
ASSEMBLE PER INSTRUCTIONS ON KIT DRAWING (PN 668-000-490)

HV CONNECT

GROUND CONNECT

MATERIAL: -		 EXEL N.A., INC. 45001 5 MILE RD. PLYMOUTH, MI 48170		DRAWN 3rd ANGLE	
FINISH: -				TITLE: ISOLATION TABLE ASSY 16-120 FLOMAX W/ ELEVATOR	
CONFIDENTIAL THIS DOCUMENT IS THE SOLE PROPERTY OF EXEL N.A., INC., AND SHOULD NOT BE COPIED, PHOTOGRAPHED, OR OTHERWISE REPRODUCED WITHOUT THE EXPRESSED WRITTEN AUTHORIZATION OF EXEL N.A., INC.		DRAWN: C. STEVENS	DATE: 3/26/2009	SCALE: 1:8	
		CHECKED / ENGINEERED: J. LYNAM	DATE: 4/6/2009	DRAWING NO. 668-000-459	REV. C
		APPROVED: D. CARR	DATE: 4/6/2009	SHEET SIZE B SHEET 3 OF 7	

REVISIONS				
REV.	DESCRIPTION	DATE	APPROVED	ECR No.
-	SEE SHEET 1	-	-	-



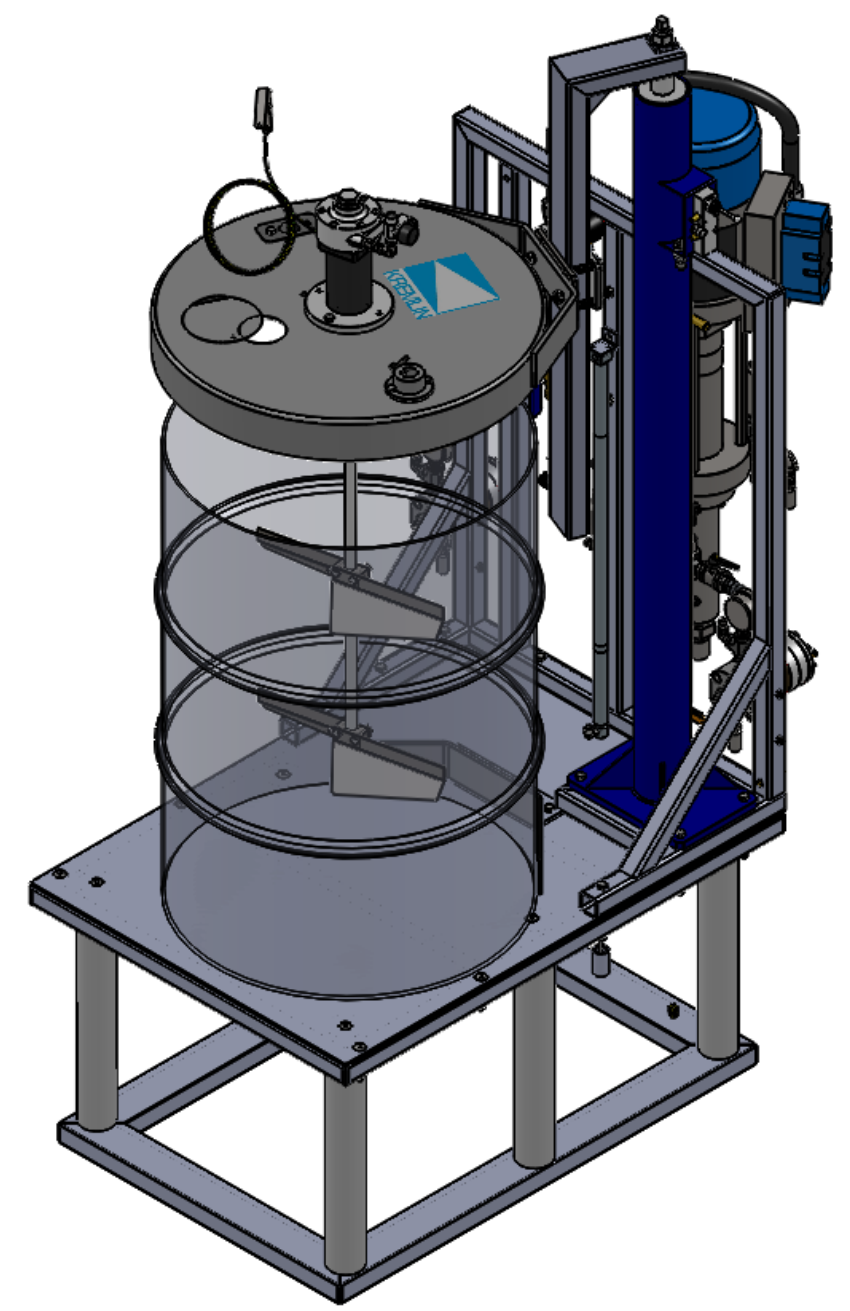
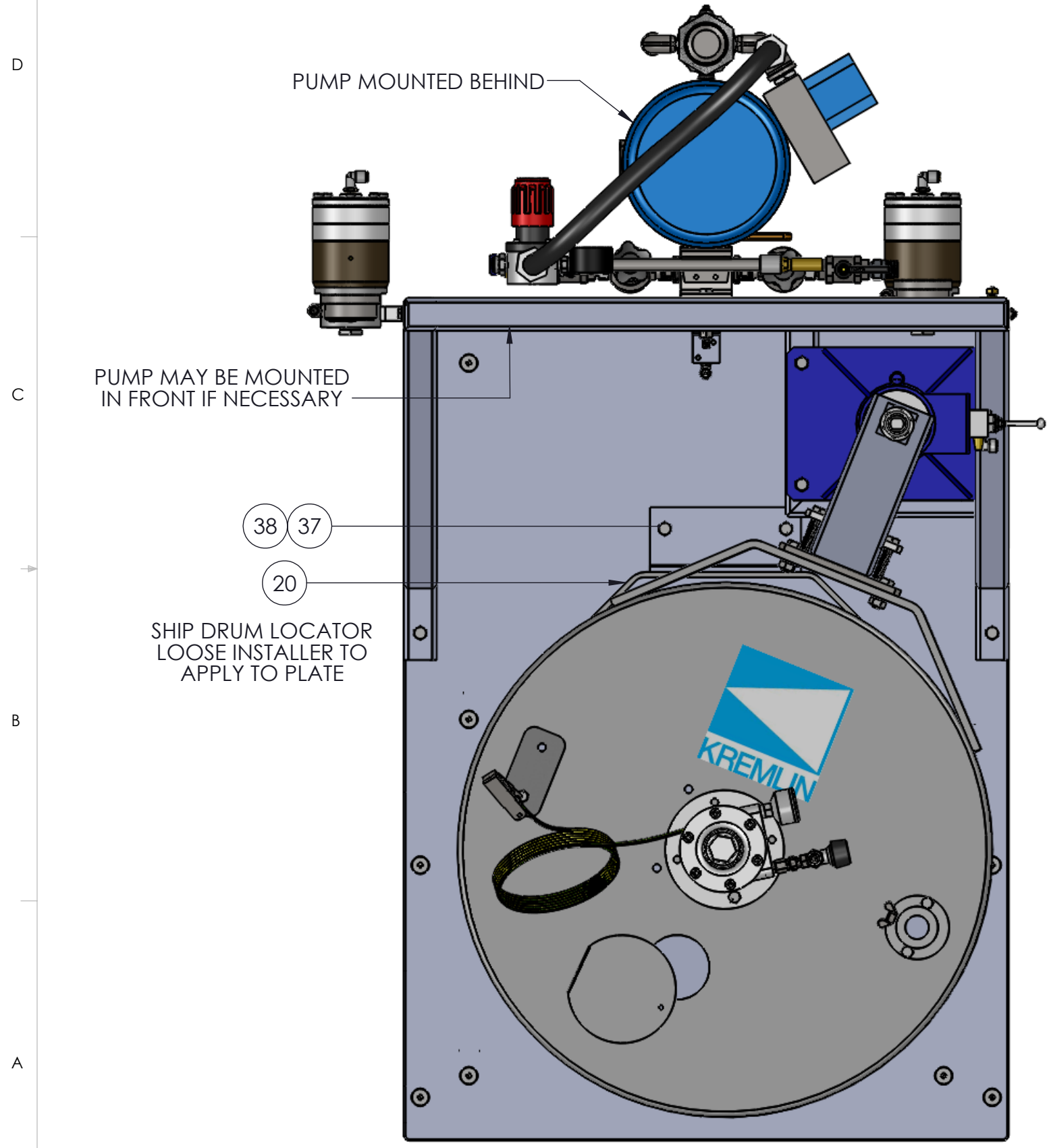
ASSEMBLY NOTES:

1. WHERE NOTED, CLEAN THREADS WITH LOCTITE 20162 AND WIPE THREADS TO REMOVE CONTAMINATION. APPLY LOCTITE PRIMER 7649 TO MALE & FEMALE THREADS, ALLOW TO DRY. FINALLY, APPLY LOCTITE 277 TO MALE & FEMALE THREADS AROUND 2ND, 3RD, & 4TH THREADS AND ASSEMBLE. ALLOW TO CURE A MINIMUM OF 14 HRS.
2. WHEN ATTACHING P/N 82-2699-00 TO THE OUTLET FITTING OF THE VALVE, HOLD OUTLET FITTING FIRMLY OTHERWISE YOU WILL BREAK THE "V" GROOVE INSIDE OF THE VALVE.
3. APPLY LOCTITE 577 TO REMAINING MATING THREADS


MATERIAL: -		FINISH: -				EXEL N.A., INC. 45001 5 MILE RD. PLYMOUTH, MI 48170		DRAWN 3rd ANGLE	
CONFIDENTIAL THIS DOCUMENT IS THE SOLE PROPERTY OF EXEL N.A., INC., AND SHOULD NOT BE COPIED, PHOTOGRAPHED, OR OTHERWISE REPRODUCED WITHOUT THE EXPRESSED WRITTEN AUTHORIZATION OF EXEL N.A., INC.		DRAWN: C. STEVENS		DATE: 3/26/2009		TITLE: ISOLATION TABLE ASSY 16-120 FLOMAX W/ ELEVATOR			
		CHECKED / ENGINEERED: J. LYNAM		DATE: 4/6/2009		SCALE: 1:8		DRAWING NO. 668-000-459	
		APPROVED: D. CARR		DATE: 4/6/2009		REV. C		SHEET SIZE B SHEET 4 OF 7	

8 7 6 5 4 3 2 1

REVISIONS				
REV.	DESCRIPTION	DATE	APPROVED	ECR No.
-	SEE SHEET 1	-	-	-



A

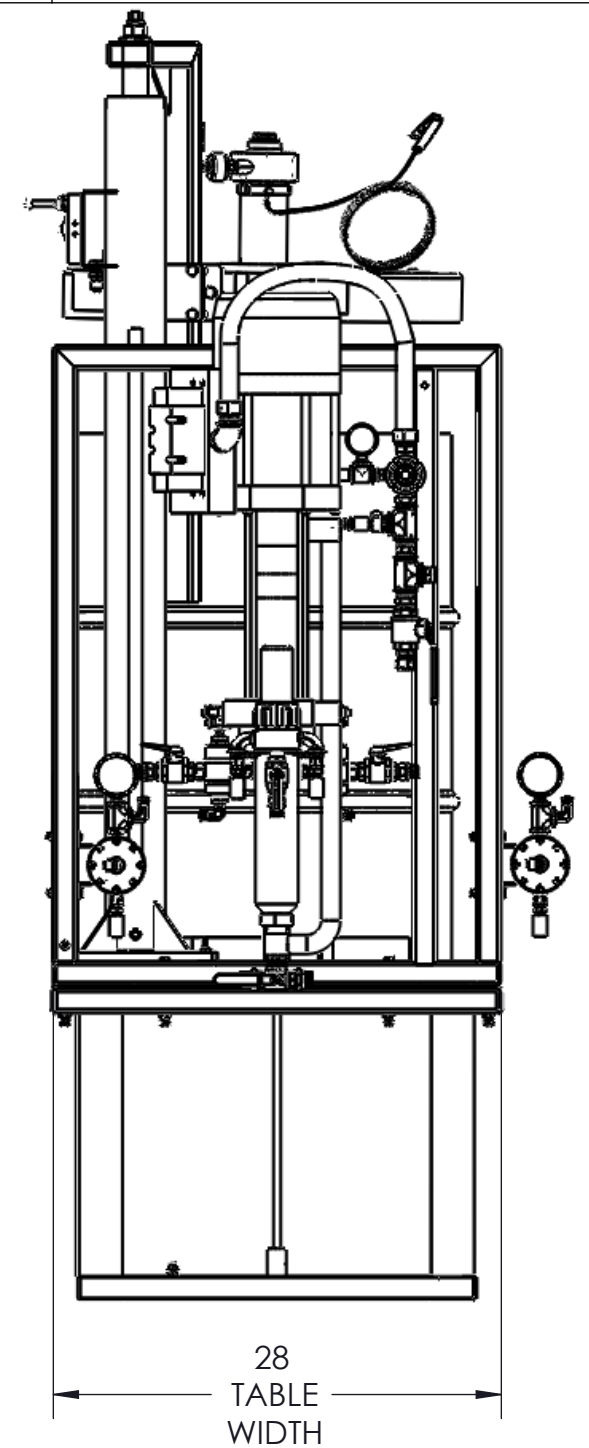
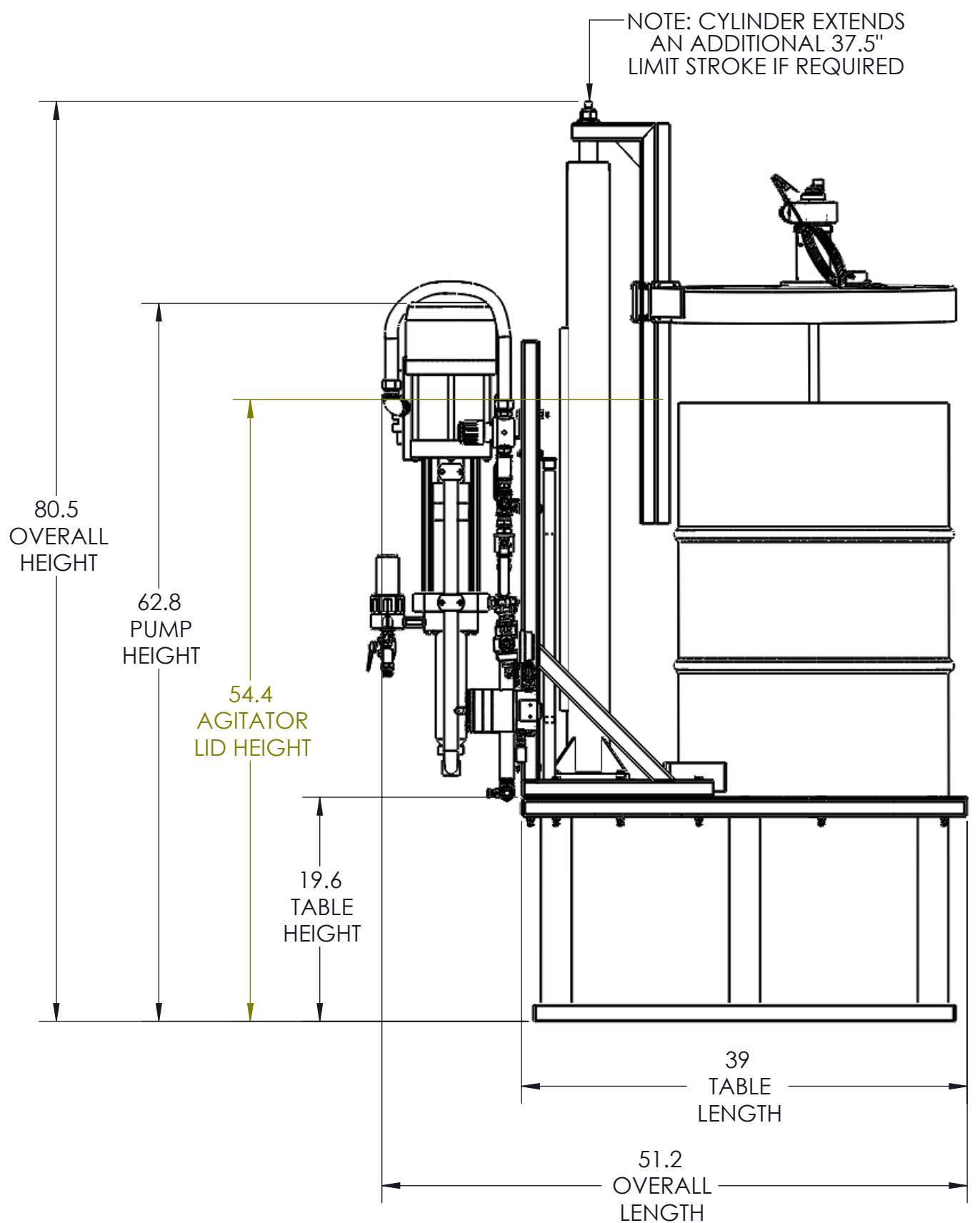
MATERIAL: -				EXEL N.A., INC. 45001 5 MILE RD. PLYMOUTH, MI 48170		DRAWN 3rd ANGLE	
FINISH: -		CONFIDENTIAL THIS DOCUMENT IS THE SOLE PROPERTY OF EXEL N.A., INC., AND SHOULD NOT BE COPIED, PHOTOGRAPHED, OR OTHERWISE REPRODUCED WITHOUT THE EXPRESSED WRITTEN AUTHORIZATION OF EXEL N.A., INC.		DATE: 3/26/2009 DRAWN: C. STEVENS CHECKED / ENGINEERED: J. LYNAM APPROVED: D. CARR		DATE: 4/6/2009 DATE: 4/6/2009 DATE: 4/6/2009	
TITLE: ISOLATION TABLE ASSY 16-120 FLOMAX W/ ELEVATOR				SCALE: 1:6		DRAWING NO. 668-000-459 REV. C	
				SHEET SIZE B		SHEET 5 OF 7	

8 7 6 5 4 3 2 1

8 7 6 5 4 3 2 1


REVISIONS				
REV.	DESCRIPTION	DATE	APPROVED	ECR No.
-	SEE SHEET 1	-	-	-

D
C
B
A



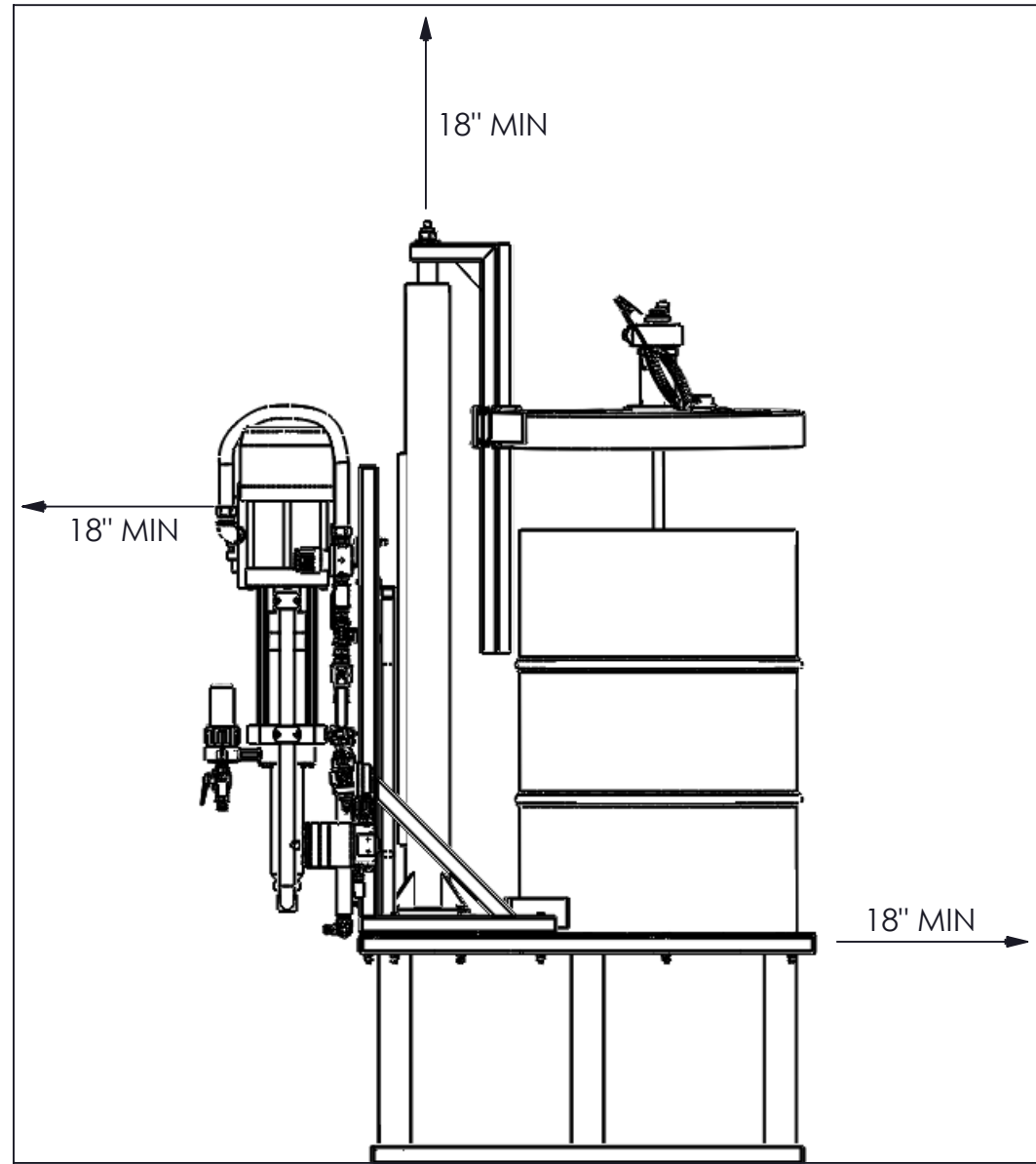
D
C
B
A

8 7 6 5 4 3 2 1

MATERIAL: -		 EXEL N.A., INC. 45001 5 MILE RD. PLYMOUTH, MI 48170		DRAWN 3rd ANGLE	
FINISH: -				DATE: 3/26/2009 DATE: 4/6/2009 DATE: 4/6/2009	
CONFIDENTIAL THIS DOCUMENT IS THE SOLE PROPERTY OF EXEL N.A., INC., AND SHOULD NOT BE COPIED, PHOTOGRAPHED, OR OTHERWISE REPRODUCED WITHOUT THE EXPRESSED WRITTEN AUTHORIZATION OF EXEL N.A., INC.		DRAWN: C. STEVENS CHECKED / ENGINEERED: J. LYNAM APPROVED: D. CARR	TITLE: ISOLATION TABLE ASSY 16-120 FLOMAX W/ ELEVATOR		
		SCALE: 1:12		DRAWING NO. 668-000-459	REV. C
		SHEET SIZE B		SHEET 6	OF 7

INSTALLATION NOTES

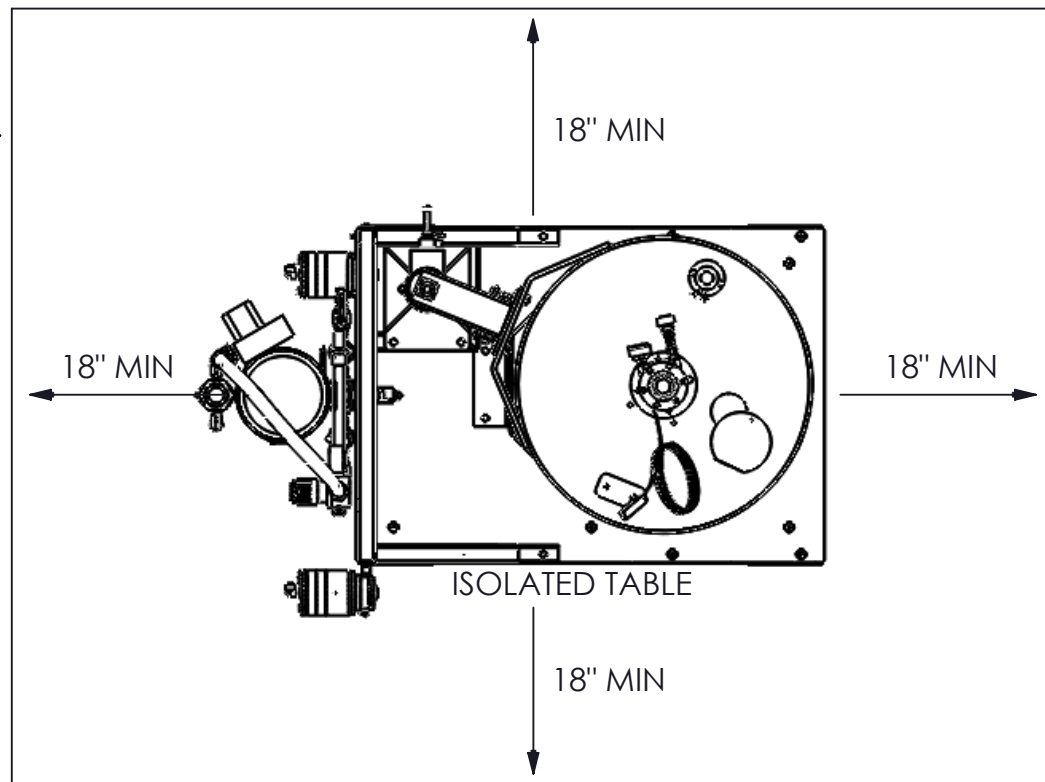
REVISIONS				
REV.	DESCRIPTION	DATE	APPROVED	ECR No.
-	SEE SHEET 1	-	-	-




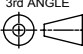
ISOLATED TABLE

SIDE VIEW

← CAGE, MIX ROOM →



TOP VIEW

MATERIAL: -		 EXEL N.A., INC. 45001 5 MILE RD. PLYMOUTH, MI 48170		DRAWN 3rd ANGLE 	
FINISH: -					
CONFIDENTIAL THIS DOCUMENT IS THE SOLE PROPERTY OF EXEL N.A., INC., AND SHOULD NOT BE COPIED, PHOTOGRAPHED, OR OTHERWISE REPRODUCED WITHOUT THE EXPRESSED WRITTEN AUTHORI- ZATION OF EXEL N.A., INC.	DRAWN: C. STEVENS	DATE: 3/26/2009	TITLE: ISOLATION TABLE ASSY 16-120 FLOMAX W/ ELEVATOR		
	CHECKED / ENGINEERED: J. LYNAM	DATE: 4/6/2009	SCALE: 1:16	DRAWING NO. 668-000-459	REV. C
	APPROVED: D. CARR	DATE: 4/6/2009	SHEET SIZE B SHEET 7 OF 7		